

**JMD-45ST CNC METALWORKING  
SMART MILL S8 BENCHTOP**

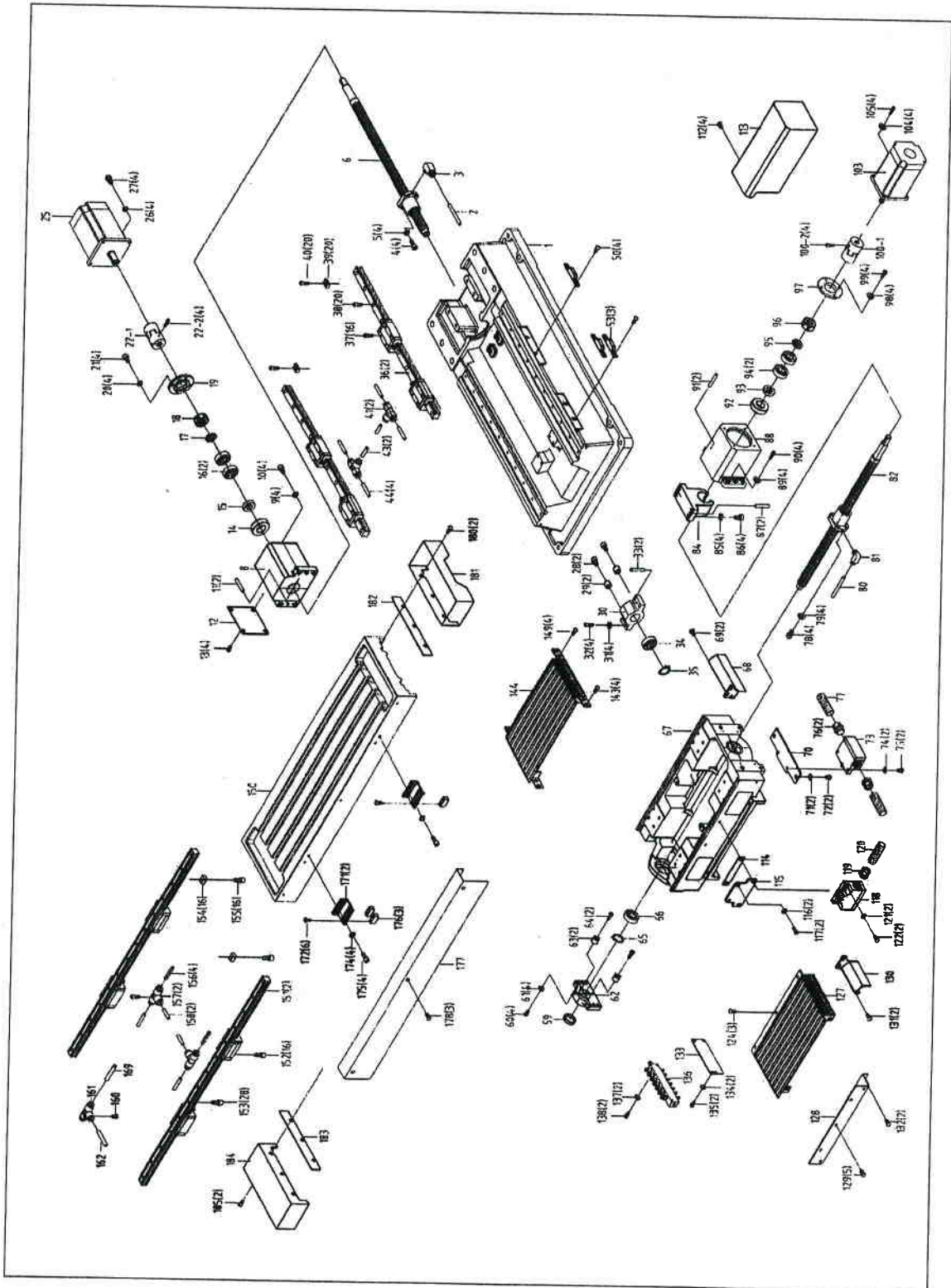
**JMD-45ST CNC...50000402T....3~400V,50Hz**

## **PARTS LIST**

**JPW (Tool) AG.**  
Tämperlistrasse 5  
CH-8117 Fällanden  
Switzerland  
Phone +41 44 806 47 48  
Fax +41 44 806 47 58  
[jetinfo.eu@waltermeier.com](mailto:jetinfo.eu@waltermeier.com)  
[www.jettools.com](http://www.jettools.com)

P-50000402T2014-01

# JMD-45ST CNCBase Assembly



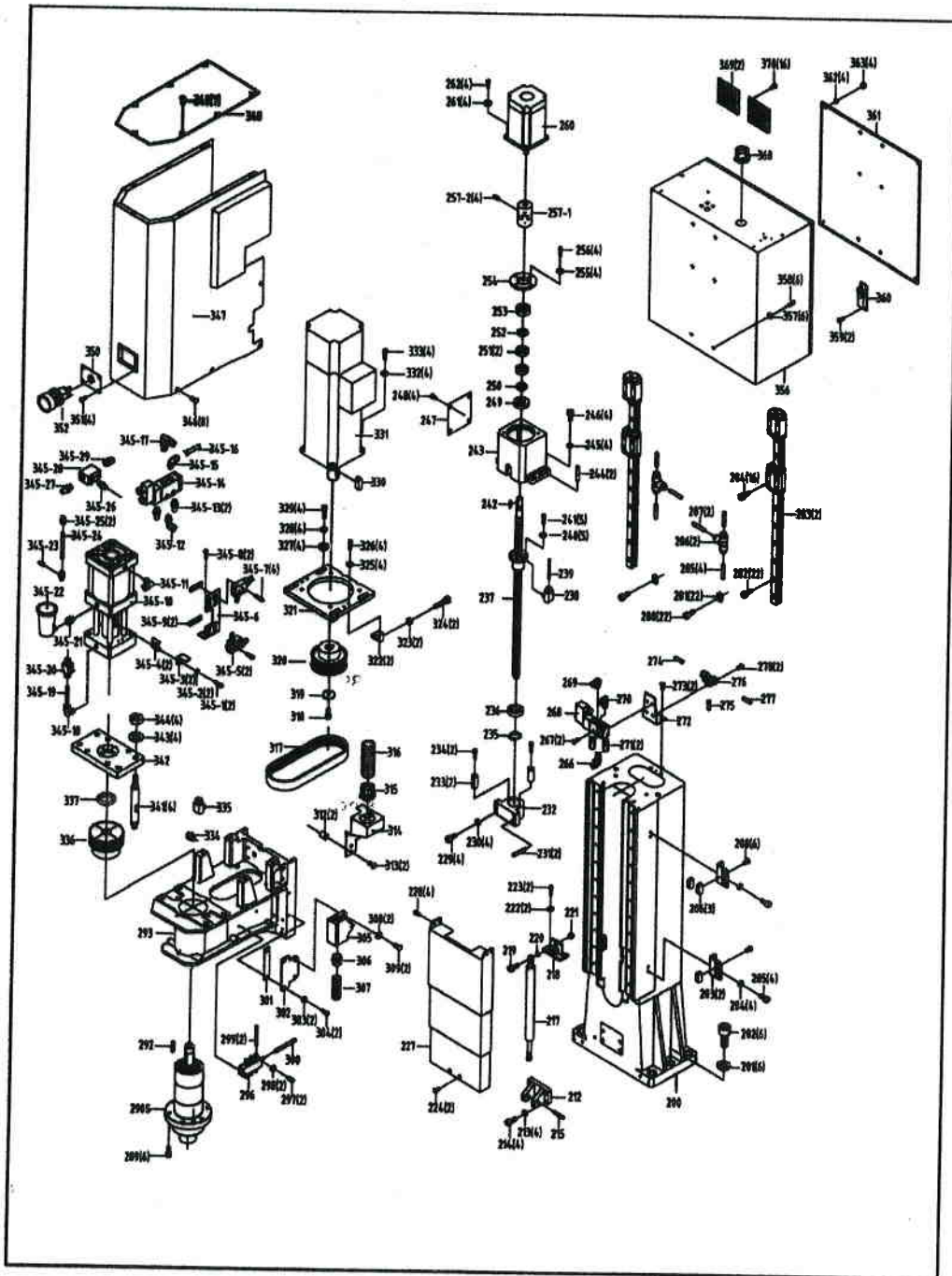
### JMD-45ST CNC Base Assembly Part list

Index No.	Part No.	Description	Size	Qty
1	JMD45ST-01	Base	130	1
2	JMD45ST-02	Oil pipe		1
3	JMD45ST-03	Coupler	M6	1
4	JMD45ST-04	Hex. Socket Head Screw	M6*P1*L25	4
5	JMD45ST-05	Spring Washer	M6	4
6	JMD45ST-06	Y Axle Ball Bearing Screw		1
8	JMD45ST-08	Motor Bracket Y		1
9	JMD45ST-09	Spring Washer	M8	4
10	JMD45ST-10	Hex. Socket Head Screw	M8*P1.25*L30	4
11	JMD45ST-11	Miter Pin	φ 5*38L	2
12	JMD45ST-12	Motor Bracket Cover	130	1
13	JMD45ST-13	Cross Round Head Screw	M6*P1*L10	4
14	JMD45ST-14	Oil Seal	40 φ * φ 28*8t	1
15	JMD45ST-15	Space Ring		1
16	JMD45ST-16	Angular bearing	7204-0	2
17	JMD45ST-17	Space Ring		1
18	JMD45ST-18	Nut	YSF-M20×P1.0	1
19	JMD45ST-19	Press Board		1
20	JMD45ST-20	Spring Washer	M6	4
21	JMD45ST-21	Hex. Socket Head Screw	M6*P1*L20	4
22-1	JMD45ST-22-1	Connecting shaft	MTC-55C-RD	1
22-2	JMD45ST-22-2	Hex. Socket Head Screw	M6*15L	4
25	JMD45ST-25	Servo motor	750W	
26	JMD45ST-26	Spring Washer	M8	4
27	JMD45ST-27	Hex. Socket Head Screw	M8*P1.25*L25	4
28	JMD45ST-28	Hex. Socket Head Screw	M5*P0.8*L20	2
29	JMD45ST-29	Bull block Y		2
30	JMD45ST-30	Bearing Seat		1
31	JMD45ST-31	Spring Washer	M6	4
32	JMD45ST-32	Hex. Socket Head Screw	M6*P1*L25	4
33	JMD45ST-33	Miter Pin	φ 6	2
34	JMD45ST-34	Ball Bearing	6003ZZ	1
35	JMD45ST-35	C-Retainer Ring	S17	1
36	JMD45ST-36	Y axle Linear recirculating		2
37	JMD45ST-37	Hex. Socket Head Screw	M6*P1*L20	16
38	JMD45ST-38	Hex. Socket Head Screw	M6*P1*L25	20
39	JMD45ST-39	Wedge		20
40	JMD45ST-40	Hex. Socket Head Screw	M5*P0.8*L20	20
41	JMD45ST-41	Coupler		2
43	JMD45ST-43	Oil pipe		2
44	JMD45ST-44	Oil pipe		4
50	JMD45ST-50	Hex. Socket Head Screw	M6*P1*L15	6
53	JMD45ST-53	Position Set Bracket		3
59	JMD45ST-59	Dust Cover	φ 35	1
60	JMD45ST-60	Hex. Socket Head Screw	M6*P1*L25	4
61	JMD45ST-61	Spring Washer	M6	4
62	JMD45ST-62	Bearing Seat		1
63	JMD45ST-63	Bull block X		2
64	JMD45ST-64	Hex. Socket Head Screw	M5*P0.8*L20	2
65	JMD45ST-65	C-Retainer Ring	S17	1
66	JMD45ST-66	Ball Bearing	6003ZZ	1
67	JMD45ST-67	Center Base	130	1
68	JMD45ST-68	Cover		1
69	JMD45ST-69	Hex. Socket Head Screw	M6*P1*L15	2
70	JMD45ST-70	Switch bracket		1
71	JMD45ST-71	Washer	M6* φ 13*T1	2
72	JMD45ST-72	Hex. Socket Head Screw	M6*P1*L20	2
73	JMD45ST-73	Limit Switch		1
74	JMD45ST-74	Washer	M6* φ 13*T1	2
75	JMD45ST-75	Hex. Socket Head Screw	M6*P1*L15	2

Index No.	Part No.	Description	Size	Qty
76	JMD45ST-76	Snake tube clip		1
77	JMD45ST-77	Snake tube		1
78	JMD45ST-78	Hex. Socket Head Screw	M6*P1*L25	4
79	JMD45ST-79	Spring Washer	M6	4
80	JMD45ST-80	Oil pipe		1
81	JMD45ST-81	Coupler	M6	1
82	JMD45ST-82	X axle ball bearing screw		1
84	JMD45ST-84	Acme Nut Base		1
85	JMD45ST-85	Spring Washer	M6	4
86	JMD45ST-86	Hex. Socket Head Screw	M6*P1*L25	4
87	JMD45ST-87	Miter Pin	∅ 5*38L	2
88	JMD45ST-88	Motor bracket X		1
89	JMD45ST-89	Spring Washer	M8	4
90	JMD45ST-90	Hex. Socket Head Screw	M8*P1.25*L30	4
91	JMD45ST-91	Miter Pin	∅ 5*38L	2
92	JMD45ST-92	Oil Seal	40 ∅ * ∅ 28*8t	1
93	JMD45ST-93	Space Ring		1
94	JMD45ST-94	Angular bearing	7204-0	2
95	JMD45ST-95	Space Ring		1
96	JMD45ST-96	Nut	YSF-M20*P1.0	1
97	JMD45ST-97	Press Board		1
98	JMD45ST-98	Spring Washer	M6	4
99	JMD45ST-99	Hex. Socket Head Screw	M6*P1*L20	4
100-1	JMD45ST-100-1	Connecting shaft	MTC-55C-RD	1
100-2	JMD45ST-100-2	Hex. Socket Head Screw	M6*15L	4
103	JMD45ST-103	Servo motor	750W	
104	JMD45ST-104	Spring Washer	M8	4
105	JMD45ST-105	Hex. Socket Head Screw	M8*P1.25*L25	4
112	JMD45ST-112	Cross Round Head Screw	M6*P1*L10	4
113	JMD45ST-113	Motor Cover	130(RF-S8)	1
114	JMD45ST-114	Plate		1
115	JMD45ST-115	Switch bracket		1
116	JMD45ST-116	Washer	M6* ∅ 13*1T	2
117	JMD45ST-117	Hex. Socket Head Screw	M6*P1*L15	2
118	JMD45ST-118	Limit Switch		1
119	JMD45ST-119	Snake tube clip		1
120	JMD45ST-120	Snake tube		1
121	JMD45ST-121	Washer	M6* ∅ 13*T1	2
122	JMD45ST-122	Hex. Socket Head Screw	M6*P1*L15	2
124	JMD45ST-124	Cross Round Head Screw	M6*P1*L10	3
127	JMD45ST-127	Retractable sheath Y	Finned	1
128	JMD45ST-128	Sheath holder		1
129	JMD45ST-129	Cross Round Head Screw	M5*P0.8*L10	5
130	JMD45ST-130	Cover		1
131	JMD45ST-131	Hex. Socket Head Screw	M6*P1*L15	2
132	JMD45ST-132	Cross Round Head Screw	M6*P1*L16	2
133	JMD45ST-133	Plate		1
134	JMD45ST-134	Spring Washer	M6	2
135	JMD45ST-135	Hex. Socket Head Screw	M6*P1*L20	2
136	JMD45ST-136	Straight Connector	CAB-6-0.16CC	1
137	JMD45ST-137	Spring Washer	M6	2
138	JMD45ST-138	Hex. Socket Head Screw	M6*P1*L25	2
143	JMD45ST-143	Cross Round Head Screw	M6*P1*L10	4
144	JMD45ST-144	Retractable sheath Y	Finned	1
149	JMD45ST-149	Cross Round Head Screw	M6*P1*L10	4
150	JMD45ST-150	Work Table		1
151	JMD45ST-151	X Axle Linear recirculating		2
152	JMD45ST-152	Hex. Socket Head Screw	M6*P1*L20	16
153	JMD45ST-153	Hex. Socket Head Screw	M6*P1*L25	28
154	JMD45ST-154	Wedge		16
155	JMD45ST-155	Hex. Socket Head Screw	M5*P0.8*L20	16
156	JMD45ST-156	Oil pipe		4

Index No.	Part No.	Description	Size	Qty
157	JMD45ST-157	Coupler		2
158	JMD45ST-158	Oil pipe		2
160	JMD45ST-160	Hex. Socket Head Screw	M4*P0.8*L20	1
161	JMD45ST-161	Coupler		1
162	JMD45ST-162	Oil pipe		1
169	JMD45ST-169	Tubing + spring		1
171	JMD45ST-171	Block		2
172	JMD45ST-172	Cross Round Head Screw	M6*P1*L10	6
174	JMD45ST-174	Washer	M6* $\phi$ 13*1T	4
175	JMD45ST-175	Cross Round Head Screw	M6*P1*L10	4
176	JMD45ST-176	Position Set Bracket		3
177	JMD45ST-177	Cover		1
178	JMD45ST-178	Cross Round Head Screw	M6*P1*L10	3
180	JMD45ST-180	Cross Round Head Screw	M6*P1*L10	2
181	JMD45ST-181	R Cover	SS41	1
182	JMD45ST-182	Leak-proof gasket		1
183	JMD45ST-183	Leak-proof gasket		1
184	JMD45ST-184	L Cover	SS41	1
185	JMD45ST-185	Cross Round Head Screw	M6*P1*L10	2

# JMD-45ST CNC Column with Head Assembly



## JMD-45ST CNC Column with Head Assembly Part List

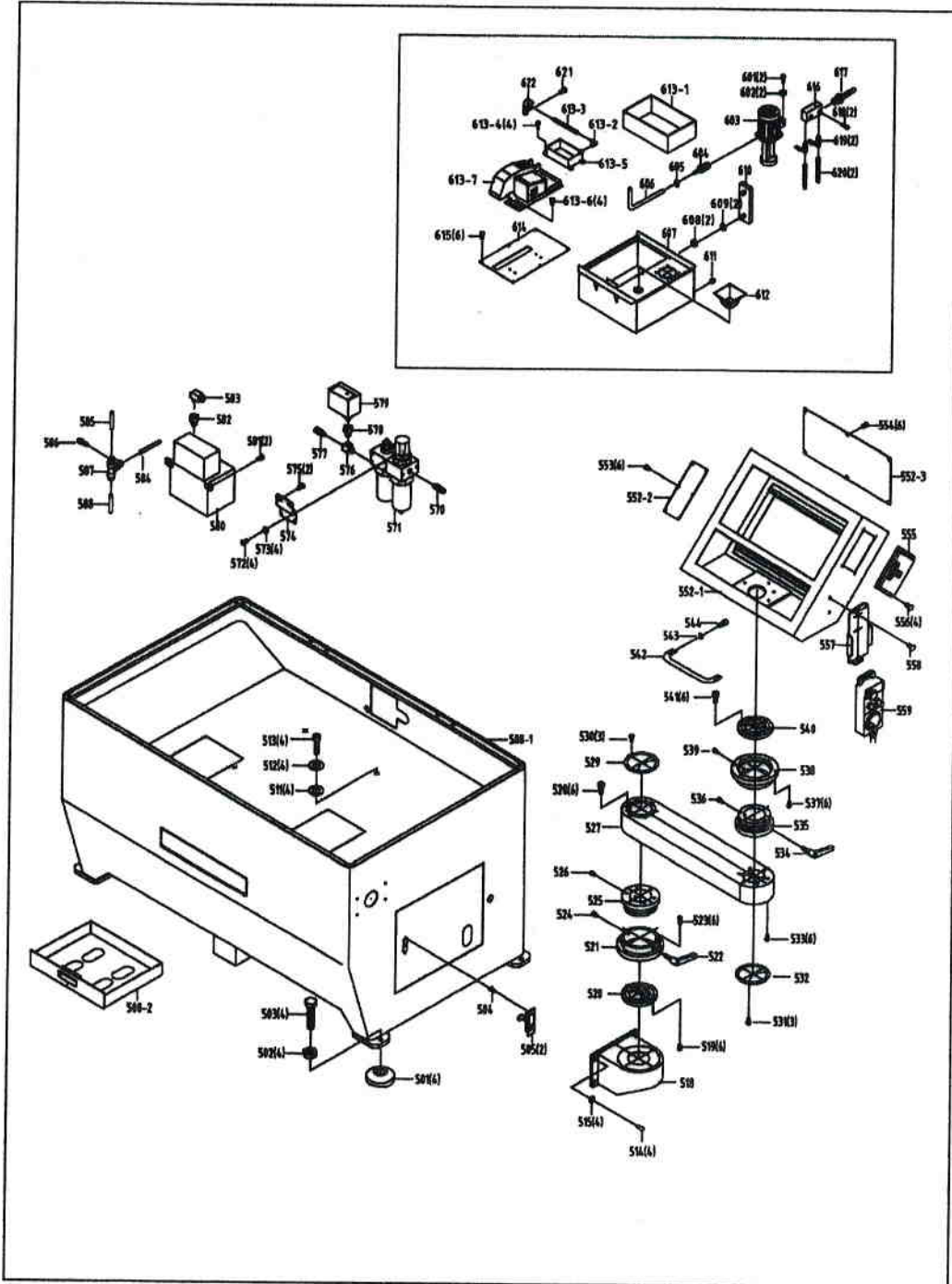
Index No.	Part No.	Description	Size	Qty
200	JMD45ST-200	Vertical Square Column		1
201	JMD45ST-201	Spring Washer	M16	6
202	JMD45ST-202	Hex. Socket Head Screw	M16*P2*L55	6
203	JMD45ST-203	Block		2
205	JMD45ST-205	Cross Round Head Screw	M6*P1*L10	4
206	JMD45ST-206	Position Set Bracket		3
208	JMD45ST-208	Cross Round Head Screw	M6*P1*L10	6
212	JMD45ST-212	Pneumatic cylinder lower support		1
213	JMD45ST-213	Spring Washer	M6	4
214	JMD45ST-214	Hex. Socket Head Screw	M6*P1*L25	4
215	JMD45ST-215	Spring Pin	φ 6*L50	1
217	JMD45ST-217	Pneumatic Cylinders	160LB	1
218	JMD45ST-218	Pneumatic Cylinders Over Seat		1
219	JMD45ST-219	Hex. Socket Head Screw	M6*P1*L25	1
220	JMD45ST-220	Washer	M6* φ 13*1T	1
221	JMD45ST-221	Hex. Nut	M6	1
222	JMD45ST-222	Spring Washer	M6	2
223	JMD45ST-223	Hex. Socket Head Screw	M6*P1*L20	2
224	JMD45ST-224	Cross Round Head Screw	M6*P1*L10	2
227	JMD45ST-227	Retractable sheath (Z)		1
228	JMD45ST-228	Cross Round Head Screw	M6*P1*L10	4
229	JMD45ST-229	Hex. Socket Head Screw	M6*P1*L30	4
230	JMD45ST-230	Spring Washer	M6	4
231	JMD45ST-231	Miter Pin	φ 5*38L	2
232	JMD45ST-232	Bearing Seat		1
233	JMD45ST-233	Bull block		1
234	JMD45ST-234	Hex. Socket Head Screw	M5*P0.8*L40	2
235	JMD45ST-235	C-Retainer Ring	S17	1
236	JMD45ST-236	Ball Bearing	6003ZZ	1
237	JMD45ST-237	Z Axle Ball Bearing Screw		1
238	JMD45ST-238	Coupler	M6	1
239	JMD45ST-239	Oil pipe		1
240	JMD45ST-240	Spring Washer	M6	4
241	JMD45ST-241	Hex. Socket Head Screw	M6*P1*L25	4
242	JMD45ST-242	Key		1
243	JMD45ST-243	Motor Bracket Z		1
244	JMD45ST-244	Miter Pin	φ 5*38L	2
245	JMD45ST-245	Spring Washer	M8	4
246	JMD45ST-246	Hex. Socket Head Screw	M8*P1.25*L30	4
247	JMD45ST-247	Motor Bracket Cover	130	1
248	JMD45ST-248	Cross Round Head Screw	M6*P1*L10	4
249	JMD45ST-249	Oil Seal	40 φ * φ 28*8t	1
250	JMD45ST-250	Space Ring		1
251	JMD45ST-251	Angular bearing	7204-0	2
252	JMD45ST-252	Space Ring		1
253	JMD45ST-253	Nut	YSF-M20*P1.0	1
254	JMD45ST-254	Press Board		1
255	JMD45ST-255	Spring Washer	M6	4
256	JMD45ST-256	Hex. Socket Head Screw	M6*P1*L20	4
257-1	JMD45ST-257-1	Connecting shaft	MTC-55C-RD	1
257-2	JMD45ST-257-2	Hex. Socket Head Screw	M6*15L	4
260	JMD45ST-260	Servo motor	750W	1
261	JMD45ST-261	Spring Washer	M8	4
262	JMD45ST-262	Hex. Socket Head Screw	M8*P1.25*L25	4
266	JMD45ST-266	Coupler	1/4" φ 10	1
267	JMD45ST-267	Cross Round Head Screw	M4*P0.7*25L	2
268	JMD45ST-268	Solenoid valve	BM520-02-S	1
269	JMD45ST-269	Coupler	1/4" φ 8	1
270	JMD45ST-270	Coupler	1/4" φ 8	1
271	JMD45ST-271	Silencer	1/8"	2

Index No.	Part No.	Description	Size	Qty
272	JMD45ST-272	Solenoid valve bracket		1
273	JMD45ST-273	Cross Round Head Screw	M6*P1*L10	2
274	JMD45ST-274	Air hose	φ 10	1
275	JMD45ST-275	Air hose	φ 10	1
276	JMD45ST-276	Connector	φ 10	1
277	JMD45ST-277	Air hose	φ 10	1
278	JMD45ST-278	Cross Round Head Screw	M4*P0.7*20L	2
280	JMD45ST-280	Hex. Socket Head Screw	M5*P0.8*L20	22
281	JMD45ST-281	Wedge		22
282	JMD45ST-282	Hex. Socket Head Screw	M6*P1*L25	22
283	JMD45ST-283	Z axle Linear recirculating		2
284	JMD45ST-284	Hex. Socket Head Screw	M6*P1*L20	16
285	JMD45ST-285	Oil pipe		4
286	JMD45ST-286	Coupler		2
287	JMD45ST-287	Oil pipe		2
289	JMD45ST-289	Hex. Socket Head Screw	M8*P1.25*L25	6
290S	JMD45ST-290S	Spindle Shaft set		1
292	JMD45ST-292	Key	8*8*35	1
293	JMD45ST-293	Spindle Shaft		1
296	JMD45ST-296	Straight Connector	CAB-3-0.16CC	1
297	JMD45ST-297	Hex. Socket Head Screw	M6*P1*L25	2
298	JMD45ST-298	Spring Washer	M6	2
299	JMD45ST-299	Oil pipe	φ 4	3
300	JMD45ST-300	Oil pipe	φ 6	1
301	JMD45ST-301	Plate		1
302	JMD45ST-302	Switch bracket		1
303	JMD45ST-303	Spring Washer	M6	2
304	JMD45ST-304	Hex. Socket Head Screw	M6*15L	2
305	JMD45ST-305	Limit Switch		1
306	JMD45ST-306	Snake tube clip		1
307	JMD45ST-307	Snake tube		1
308	JMD45ST-308	Washer	M6* φ 13*T1	2
309	JMD45ST-309	Hex. Socket Head Screw	M6*15L	2
312	JMD45ST-312	Interval Ring		2
313	JMD45ST-313	Cross Round Head Screw	M6*P1*L30	2
314	JMD45ST-314	Cover	φ 60	1
315	JMD45ST-315	Snake tube clip		1
316	JMD45ST-316	Snake tube	φ 47*1000MM	1
317	JMD45ST-317	Timing belt	695L*5GT*30*139T	1
318	JMD45ST-318	Hex. Socket Head Screw	M8*P1.25*L25	1
319	JMD45ST-319	Washer		1
320	JMD45ST-320	Motor Pulley		1
321	JMD45ST-321	Motor Mount Plate		1
322	JMD45ST-322	Block		2
323	JMD45ST-323	Nut	M10*P1.5	2
324	JMD45ST-324	Adjustable Screw		2
325	JMD45ST-325	Spring Washer	M6	4
326	JMD45ST-326	Hex. Socket Head Screw	M6*P1*20L	4
327	JMD45ST-327	Washer	M10* φ 20*2T	4
328	JMD45ST-328	Spring Washer	M10	4
329	JMD45ST-329	Hex. Socket Head Screw	M10*P1.5*30L	4
330	JMD45ST-330	Key	?1	
331	JMD45ST-331	Spindle motor	SVM-90SS- 1.5W-IP541	
332	JMD45ST-332	Spring Washer	M8	4
333	JMD45ST-333	Hex. Socket Head Screw	M8*P1.25*25L	4
334	JMD45ST-334	Coupler	1/8"	1
335	JMD45ST-335	Coupler	1/8"*90	1
336	JMD45ST-336	Spindle Pulley		1
337	JMD45ST-337	Nut	NK-M35*P1.5	1
341	JMD45ST-341	Cylinder lever		4
342	JMD45ST-342	Cylinder mounting plate		1
343	JMD45ST-343	Washer	M12* φ 23*t2	4



Index No.	Part No.	Description	Size	Qty
344	JMD45ST-344	Hex. Nut	M12	4
345S	JMD45ST-345S	Hydraulic Cylinder		1
346	JMD45ST-346	Cross Round Head Screw	M6*P1*L10	8
347	JMD45ST-347	Motor Pulley Cover		1
348	JMD45ST-348	Cover		1
349	JMD45ST-349	Cross Round Head Screw	M6*P1*L10	7
350	JMD45ST-350	Switch fixed plate		1
351	JMD45ST-351	Cross Round Head Screw	M5*P0.8*L10	4
352	JMD45ST-352	Button switch		1
356	JMD45ST-356	Electric Board		1
357	JMD45ST-357	Washer	M6* $\phi$ 18*1.5T	6
358	JMD45ST-358	Hex. Socket Head Screw	M6*P1*L15	6
359	JMD45ST-359	Cross Round Head Screw	M4*P0.7*7L	2
360	JMD45ST-360	Door holder set		1
361	JMD45ST-361	Electric Board		1
362	JMD45ST-362	Washer	8.5*18-1.6t (M8)	4
363	JMD45ST-363	Hex. Nut	M8	4
368	JMD45ST-368	Snake tube clip		1
369	JMD45ST-369	Fan guard		2
370	JMD45ST-370	Cross Round Head Screw	M4*P0.7*10L	16

# JMD-45ST CNC Stand Assembly

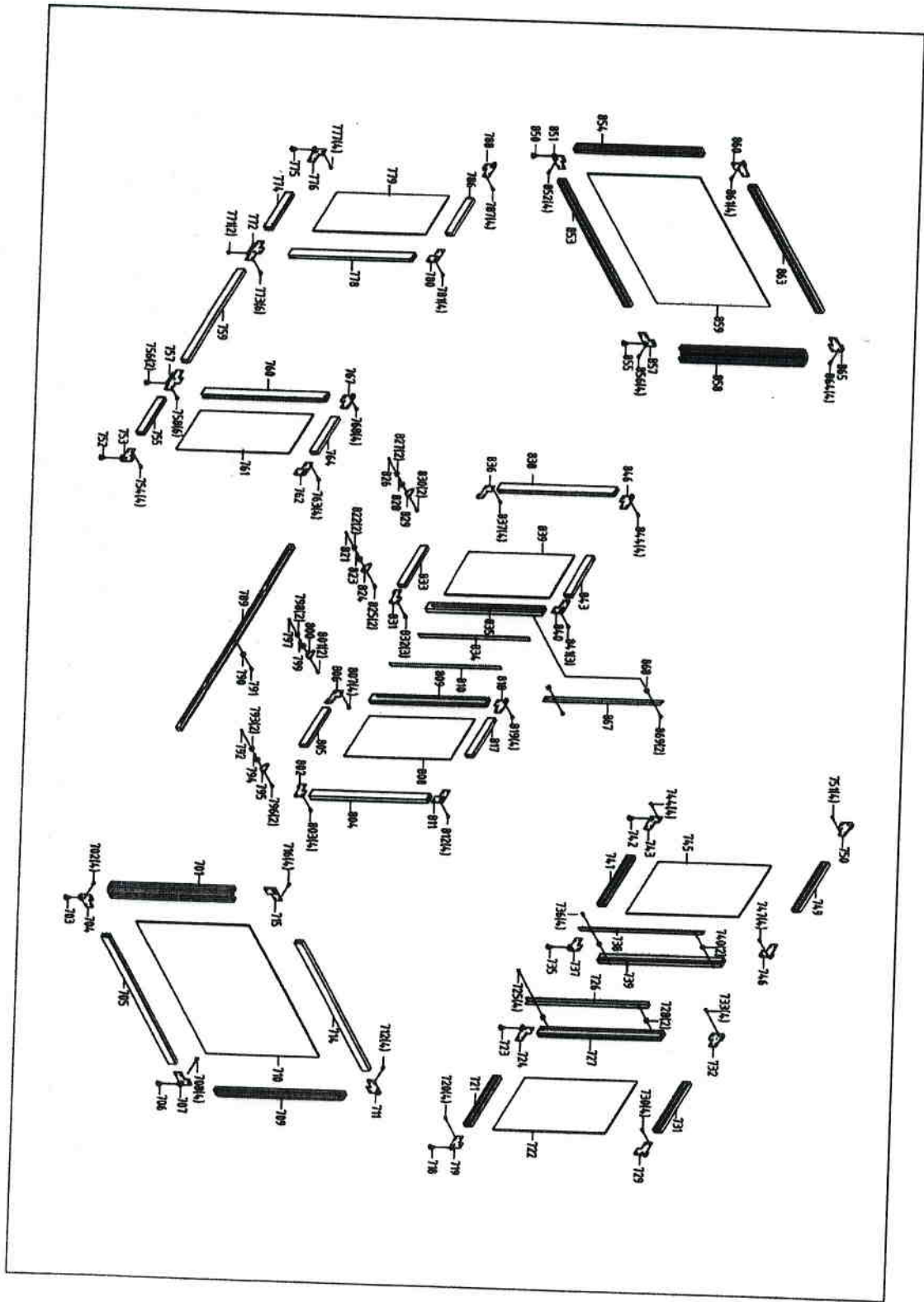


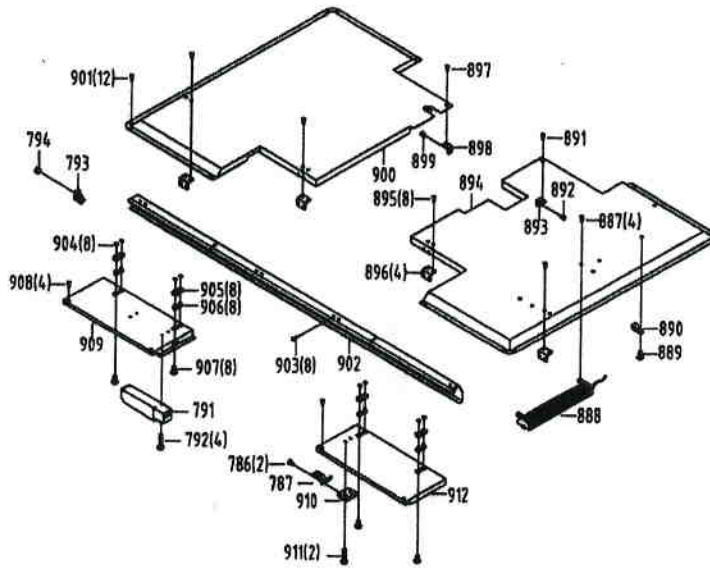
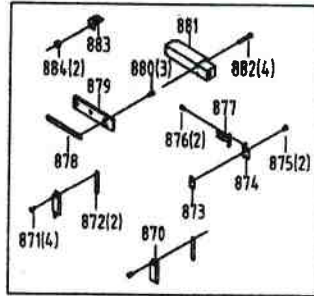
### JMD-45ST CNC Stand Assembly Part List

Index No.	Part No.	Description	Size	Qty
500S	JMD45ST-500S	STAND ASS'Y		1
501	JMD45ST-501	Ottomans		4
502	JMD45ST-502	Hex. Nut	M16*P2	4
503	JMD45ST-503	Hex. Head Screw	M16*P2*L65	4
504	JMD45ST-504	Door holder set		1
505	JMD45ST-505	Cross Round Head Screw	M4*P0.7*7L	2
508-1	JMD45ST-508-1	STAND ASS'Y		1
508-2	JMD45ST-508-2	Chip Tray		1
511	JMD45ST-511	Washer		4
512	JMD45ST-512	Washer	M12* $\phi$ 25*2T	4
513	JMD45ST-513	Hex. Socket Head Screw	M12*P1.75*L40	4
514	JMD45ST-514	Hex. Socket Head Screw	M6*P1*L15	4
515	JMD45ST-515	Spring Washer	M6	4
518	JMD45ST-518	Arm seat		1
519	JMD45ST-519	Hex. Socket Head Screw	M6*P1*L15	6
520	JMD45ST-520	Fixed Board		1
521	JMD45ST-521	Fix base		1
522	JMD45ST-522	Knob	M8*P1.25*20L	1
523	JMD45ST-523	Hex. Socket Head Screw	M6*P1*20L	6
524	JMD45ST-524	Hex. Socket Head Screw	M5*P0.8*5L	1
525	JMD45ST-525	Fix base		1
526	JMD45ST-526	Hex. Socket Head Screw	M5*P0.8*5L	1
527	JMD45ST-527	Arm		1
528	JMD45ST-528	Hex. Socket Head Screw	M6*P1*20L	6
529	JMD45ST-529	Arm Cover		1
530	JMD45ST-530	Cross Round Head Screw	M5*P0.8*L10	3
531	JMD45ST-531	Cross Round Head Screw	M5*P0.8*L10	3
532	JMD45ST-532	Arm Cover		1
533	JMD45ST-533	Hex. Socket Head Screw	M6*P1*20L	6
534	JMD45ST-534	Knob	M8*P1.25*20L	1
535	JMD45ST-535	Fix base		1
536	JMD45ST-536	Hex. Socket Head Screw	M5*P0.8*5L	1
537	JMD45ST-537	Hex. Socket Head Screw	M6*P1*20L	6
538	JMD45ST-538	Fix base		1
539	JMD45ST-539	Hex. Socket Head Screw	M5*P0.8*5L	1
540	JMD45ST-540	Fixed Board		1
541	JMD45ST-541	Hex. Socket Head Screw	M6*P1*L15	6
542	JMD45ST-542	Knob		1
543	JMD45ST-543	Washer		2
544	JMD45ST-544	Hex. Socket Head Screw	8.5*18-1.6t	2
552-1	JMD45ST-552-1	Control Box	M8*P1.25*L10	2
552-2	JMD45ST-552-2	Cover		1
552-3	JMD45ST-552-3	Steel Plate		1
553	JMD45ST-553	Cross Round Head Screw	M4*P0.7*10L	6
554	JMD45ST-554	Cross Round Head Screw	M5*P0.8*L10	6
555	JMD45ST-555	USB Block		1
556	JMD45ST-556	Cross Round Head Screw	M4*P0.7*10L	4
557	JMD45ST-557	MPG seat		1
558	JMD45ST-558	Cross Round Head Screw	M4*P0.7*10L	4
559	JMD45ST-559	Wheel (MPG)		1
570	JMD45ST-570	Coupler	PM20(FE)	1
571	JMD45ST-571	F.R.Unit	1/4(BIG)	1
572	JMD45ST-572	Cross Round Head Screw	M4*P0.7*10L	4
573	JMD45ST-573	Spring Washer	M4	4
574	JMD45ST-574	Fixed Plate		1
575	JMD45ST-575	Cross Round Head Screw	M6*P1*L10	2
576	JMD45ST-576	Coupler	1/4 Cu	1
577	JMD45ST-577	Coupler		1
578	JMD45ST-578	Micro Control Block	1/4*1/4P	1
579	JMD45ST-579	Pressure Switch	0-6KG	1

Index No.	Part No.	Description	Size	Qty
580	JMD45ST-580	Pressure-Relief Electric Lubricator	CEN03-2L-220V- $\phi$ 6	1
581	JMD45ST-581	Cross Round Head Screw	M6*P1*L16	2
582	JMD45ST-582	Coupler		1
583	JMD45ST-583	Coupler		1
584	JMD45ST-584	Tubing + spring		1
585	JMD45ST-585	Tubing + spring		1
586	JMD45ST-586	Hex. Socket Head Screw	M5*P0.8*L20	2
587	JMD45ST-587	Coupler		1
588	JMD45ST-588	Tubing + spring		1
600S	JMD45ST-600S	Cooling group		1
601	JMD45ST-601	Cross Round Head Screw	M6*P1*20L	2
602	JMD45ST-602	Washer	M6* $\phi$ 18*1.5T	2
603	JMD45ST-603	Pump		1
604	JMD45ST-604	Coupler	PT3/8"* $\phi$ 5/16"	1
605	JMD45ST-605	Hose Clip	5/8"	1
606	JMD45ST-606	Hose	$\phi$ 5/16"*2500L	1
607	JMD45ST-607	Coolant Tank	8G	1
608	JMD45ST-608	Hex. Nut	M10*P1.5	2
609	JMD45ST-609	Washer	M10* $\phi$ 20*2T	2
610	JMD45ST-610	Water tables		1
611	JMD45ST-611	Hex Socket Plug	PT3/8"	1
612	JMD45ST-612	Funnel		1
613-1	JMD45ST-613-1	Tank		1
613-2	JMD45ST-613-2			
613-3	JMD45ST-613-3			
613-4	JMD45ST-613-4			
613-5	JMD45ST-613-5			
613-6	JMD45ST-613-6			
613-7	JMD45ST-613-7			
614	JMD45ST-614	Coolant Tank Cover	8G	1
615	JMD45ST-615	Cross Round Head Screw	M5*P0.8*L10	6
616	JMD45ST-616	Nozzle holder		1
617	JMD45ST-617	Coupler	1/4"PT*3/8*90°	1
618	JMD45ST-618	Hex. Socket Head Screw	M6*P1*L25	2
619	JMD45ST-619	Valve		2
620	JMD45ST-620	Nozzle		2
621	JMD45ST-621	?		
622	JMD45ST-622	?		

# JMD458T CNC Fence Assembly





### JMD-45ST CNC Fence Assembly Part List

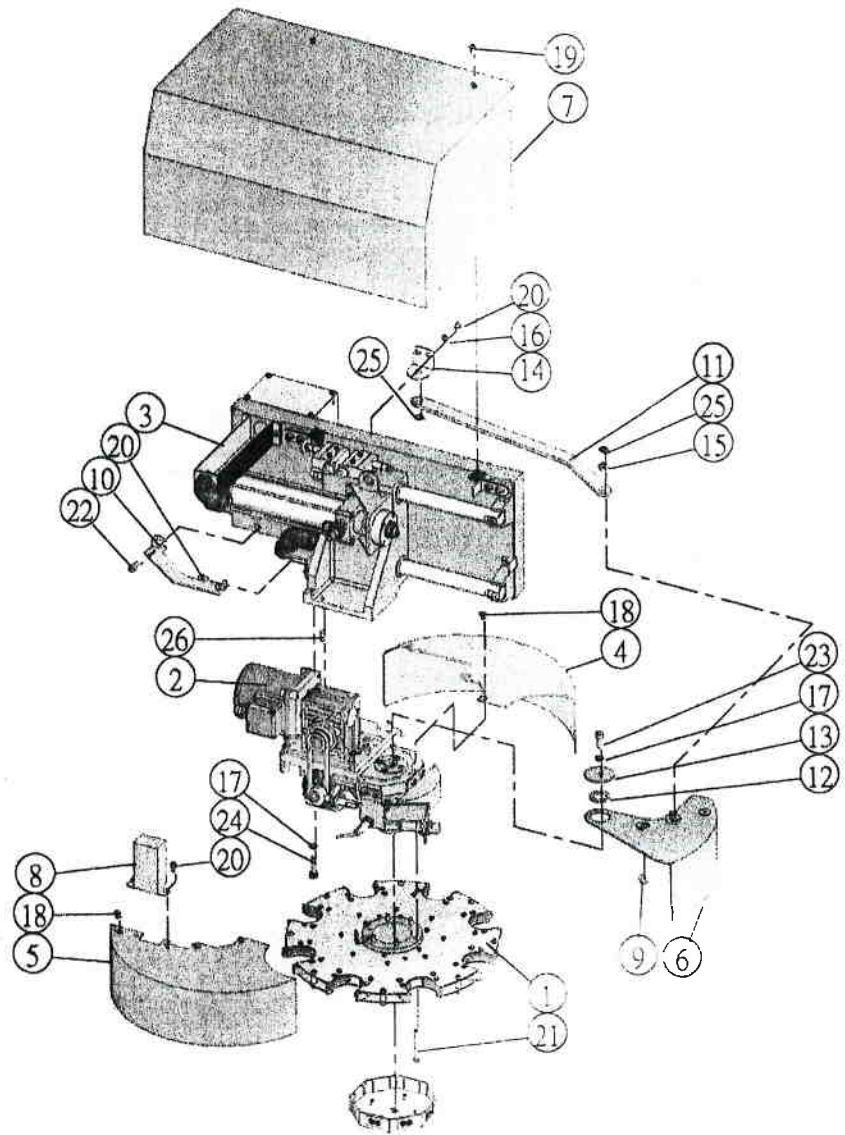
Index No.	Part No.	Description	Size	Qty
616	JMD45ST-616	Nozzle holder		1
701	JMD45ST-701	Cover Shelf	6MM	1
702	JMD45ST-702	Cross Round Head Screw	M6*P1*L10	4
703	JMD45ST-703	Cross Round Head Screw	M8*P1.25*L15	1
704	JMD45ST-704	Fixed Bracket		1
705	JMD45ST-705	Crossbar		1
706	JMD45ST-706	Cross Round Head Screw	6MM	1
707	JMD45ST-707	Fixed Bracket	M8*P1.25*L15	1
708	JMD45ST-708	Cross Round Head Screw		1
709	JMD45ST-709	Cover Shelf	M6*P1*L10	4
710	JMD45ST-710	Plank	6MM	1
711	JMD45ST-711	Fixed Bracket	6MM	1
712	JMD45ST-712	Cross Round Head Screw		1
714	JMD45ST-714	Crossbar	M6*P1*L10	4
715	JMD45ST-715	Fixed Bracket	6MM	1
716	JMD45ST-716	Cross Round Head Screw		1
718	JMD45ST-718	Cross Round Head Screw	M6*P1*L10	4
719	JMD45ST-719	Fixed Bracket	M8*P1.25*L15	1
720	JMD45ST-720	Cross Round Head Screw		1
721	JMD45ST-721	Crossbar	M6*P1*L10	4
722	JMD45ST-722	Plank	6MM	1
723	JMD45ST-723	Cross Round Head Screw	6MM	1
724	JMD45ST-724	Fixed Bracket	M8*P1.25*L15	1
725	JMD45ST-725	Cross Round Head Screw		1
726	JMD45ST-726	Plate	M6*P1*L10	4
727	JMD45ST-727	Cover Shelf		1
728	JMD45ST-728	Interval Ring	6MM	1
729	JMD45ST-729	Fixed Bracket		2
730	JMD45ST-730	Cross Round Head Screw		1
731	JMD45ST-731	Crossbar	M6*P1*L10	4
732	JMD45ST-732	Fixed Bracket	6MM	1
733	JMD45ST-733	Cross Round Head Screw		1
735	JMD45ST-735	Cross Round Head Screw	M6*P1*L10	4
736	JMD45ST-736	Cross Round Head Screw	M8*P1.25*L15	1
737	JMD45ST-737	Fixed Bracket	M6*P1*L10	4
738	JMD45ST-738	Plate		1
739	JMD45ST-739	Cover Shelf		1
740	JMD45ST-740	Interval Ring	6MM	1
741	JMD45ST-741	Crossbar		2
742	JMD45ST-742	Cross Round Head Screw	6MM	1
743	JMD45ST-743	Fixed Bracket	M8*P1.25*L15	1
744	JMD45ST-744	Cross Round Head Screw		1
745	JMD45ST-745	Plank	M6*P1*L10	4
746	JMD45ST-746	Fixed Bracket	6MM	1
747	JMD45ST-747	Cross Round Head Screw		1
749	JMD45ST-749	Crossbar	M6*P1*L10	4
750	JMD45ST-750	Fixed Bracket	6MM	1
751	JMD45ST-751	Cross Round Head Screw		1
752	JMD45ST-752	Cross Round Head Screw	M6*P1*L10	4
753	JMD45ST-753	Fixed Bracket	M8*P1.25*L15	1
754	JMD45ST-754	Cross Round Head Screw		1
755	JMD45ST-755	Crossbar	M6*P1*L10	4
756	JMD45ST-756	Cross Round Head Screw	6MM	1
757	JMD45ST-757	Fixed Bracket	M8*P1.25*L15	2
758	JMD45ST-758	Cross Round Head Screw		1
759	JMD45ST-759	Crossbar	M6*P1*L10	6
760	JMD45ST-760	Cover Shelf	6MM	1
761	JMD45ST-761	Plank	6MM	1
762	JMD45ST-762	Fixed Bracket	6MM	1
763	JMD45ST-763	Cross Round Head Screw		1
764	JMD45ST-764	Crossbar	M6*P1*L10	4
			6MM	1

Index No.	Part No.	Description	Size	Qty
767	JMD45ST-767	Fixed Bracket		1
768	JMD45ST-768	Cross Round Head Screw	M6*P1*L10	4
771	JMD45ST-771	Cross Round Head Screw	M8*P1.25*L15	2
772	JMD45ST-772	Fixed Bracket		1
773	JMD45ST-773	Cross Round Head Screw	M6*P1*L10	6
774	JMD45ST-774	Crossbar	6MM	1
775	JMD45ST-775	Cross Round Head Screw	M8*P1.25*L15	1
776	JMD45ST-776	Fixed Bracket		1
777	JMD45ST-777	Cross Round Head Screw	M6*P1*L10	4
778	JMD45ST-778	Cover Shelf	6MM	1
779	JMD45ST-779	Plank	6MM	1
780	JMD45ST-780	Fixed Bracket		1
781	JMD45ST-781	Cross Round Head Screw	M6*P1*L10	4
786	JMD45ST-786	Crossbar	6MM	1
787	JMD45ST-787	Cross Round Head Screw	M6*P1*L10	4
788	JMD45ST-788	Fixed Bracket		1
789	JMD45ST-789	Slide		1
790	JMD45ST-790	Spring Base		1
791	JMD45ST-791	Cross Round Head Screw	M6*P1*L10	1
792	JMD45ST-792	Bearing Shaft		1
793	JMD45ST-793	Bearing		2
794	JMD45ST-794	Washer		1
795	JMD45ST-795	Sliding Wheel Base B		1
796	JMD45ST-796	Cross Round Head Screw	M6*P1*L10	2
797	JMD45ST-797	Bearing Shaft		1
798	JMD45ST-798	Bearing		2
799	JMD45ST-799	Washer		1
800	JMD45ST-800	Sliding Wheel Base A		1
801	JMD45ST-801	Cross Round Head Screw	M6*P1*L10	2
802	JMD45ST-802	Fixed Bracket		1
803	JMD45ST-803	Cross Round Head Screw	M6*P1*L10	4
804	JMD45ST-804	Doorframe	6MM	1
805	JMD45ST-805	Doorframe	6MM	1
806	JMD45ST-806	Fixed Bracket		1
807	JMD45ST-807	Cross Round Head Screw	M6*P1*L10	4
808	JMD45ST-808	Door plank	6MM	1
809	JMD45ST-809	Doorframe	6MM	1
810	JMD45ST-810	Magnet strip		1
811	JMD45ST-811	Fixed Bracket		1
812	JMD45ST-812	Cross Round Head Screw	M6*P1*L10	4
817	JMD45ST-817	Doorframe	6MM	1
818	JMD45ST-818	Fixed Bracket		1
819	JMD45ST-819	Cross Round Head Screw	M6*P1*L10	4
821	JMD45ST-821	Bearing Shaft		1
822	JMD45ST-822	Bearing		2
823	JMD45ST-823	Washer		1
824	JMD45ST-824	Sliding Wheel Base A		1
825	JMD45ST-825	Cross Round Head Screw	M6*P1*L10	2
826	JMD45ST-826	Bearing Shaft		1
827	JMD45ST-827	Bearing		2
828	JMD45ST-828	Washer		1
829	JMD45ST-829	Sliding Wheel Base B		1
830	JMD45ST-830	Cross Round Head Screw	M6*P1*L10	2
831	JMD45ST-831	Fixed Bracket		1
832	JMD45ST-832	Cross Round Head Screw	M6*P1*L10	3
833	JMD45ST-833	Doorframe	6MM	1
834	JMD45ST-834	Magnet strip		1
835	JMD45ST-835	Doorframe	6MM	1
836	JMD45ST-836	Fixed Bracket		1
837	JMD45ST-837	Cross Round Head Screw	M6*P1*L10	4
838	JMD45ST-838	Doorframe	6MM	1
839	JMD45ST-839	Door plank	6MM	1
840	JMD45ST-840	Fixed Bracket		1



Index No.	Part No.	Description	Size	Qty
841	JMD45ST-841	Cross Round Head Screw	M6*P1*L10	4
843	JMD45ST-843	Doorframe	6MM	1
844	JMD45ST-844	Cross Round Head Screw	M6*P1*L10	4
846	JMD45ST-846	Fixed Bracket		1
850	JMD45ST-850	Cross Round Head Screw	M8*P1.25*L15	1
851	JMD45ST-851	Fixed Bracket		1
852	JMD45ST-852	Cross Round Head Screw	M6*P1*L10	4
853	JMD45ST-853	Crossbar	6MM	1
854	JMD45ST-854	Cover Shelf	6MM	1
855	JMD45ST-855	Cross Round Head Screw	M8*P1.25*L15	1
856	JMD45ST-856	Cross Round Head Screw	M6*P1*L10	4
857	JMD45ST-857	Fixed Bracket		1
858	JMD45ST-858	Cover Shelf	6MM	1
859	JMD45ST-859	Plank	6MM	1
860	JMD45ST-860	Fixed Bracket		1
861	JMD45ST-861	Cross Round Head Screw	M6*P1*L10	4
863	JMD45ST-862	Crossbar	6MM	1
864	JMD45ST-863	Cross Round Head Screw	M6*P1*L10	4
865	JMD45ST-865	Fixed Bracket		1
867	JMD45ST-867	Plate		1
868	JMD45ST-868	Interval Ring		2
869	JMD45ST-869	Cross Round Head Screw	M6*P1*L10	2
870	JMD45ST-870	?		1
871	JMD45ST-871	?		4
872	JMD45ST-872	?		2
873	JMD45ST-873	Fixed Bracket		1
874	JMD45ST-874	Pin holder		1
875	JMD45ST-875	Cross Round Head Screw	M5*P0.8*L10	2
876	JMD45ST-876	Cross Round Head Screw	M5*P0.8*L8	2
877	JMD45ST-877	PIN		1
878	JMD45ST-878	Fixed Bracket		1
879	JMD45ST-879	Switch Base		1
880	JMD45ST-880	Hex. Socket Head Screw	M5*P0.8*L10	3
881	JMD45ST-881	Door Interlock Switch	XCSLE3737312	1
882	JMD45ST-882	Cross Round Head Screw	M4*P0.7*L45	4
883	JMD45ST-883	Snake tube socket		1
884	JMD45ST-884	Interval Ring		1
887	JMD45ST-887	Cross Round Head Screw	M6*P1*L10	4
888	JMD45ST-888	Working Lamp		1
889	JMD45ST-889	Cross Round Head Screw	M4*P0.7*L5	3
890	JMD45ST-890	Cable Clamp		3
891	JMD45ST-891	Cross Round Head Screw	M6*P1*L10	1
892	JMD45ST-892	Cross Round Head Screw	M6*P1*L10	1
893	JMD45ST-893	Fixed Bracket		1
894	JMD45ST-894	R cover		1
895	JMD45ST-895	Cross Round Head Screw	M6*P1*L10	8
896	JMD45ST-896	Fixed Bracket		4
897	JMD45ST-897	Cross Round Head Screw	M6*P1*L10	1
898	JMD45ST-898	Fixed Bracket		1
899	JMD45ST-899	Cross Round Head Screw	M6*P1*L10	1
900	JMD45ST-900	L cover		1
901	JMD45ST-901	Cross Round Head Screw	M6*P1*L10	12
902	JMD45ST-902	Slideway		1
903	JMD45ST-903	Cross Round Head Screw	M6*P1*L10	8
904	JMD45ST-904	C-RING	S8	8
905	JMD45ST-905	Deep groove ball bearing	608	8
906	JMD45ST-906	Guide wheel shaft		8
907	JMD45ST-907	Cross Round Head Screw	M6*P1*L10	8
908	JMD45ST-908	Cross Round Head Screw	M6*P1*L10	4
909	JMD45ST-909	Cover		1
910	JMD45ST-910	Pin holder		1
911	JMD45ST-911	Cross Round Head Screw	M5*P0.8*L20	2
912	JMD45ST-912	Cover		1

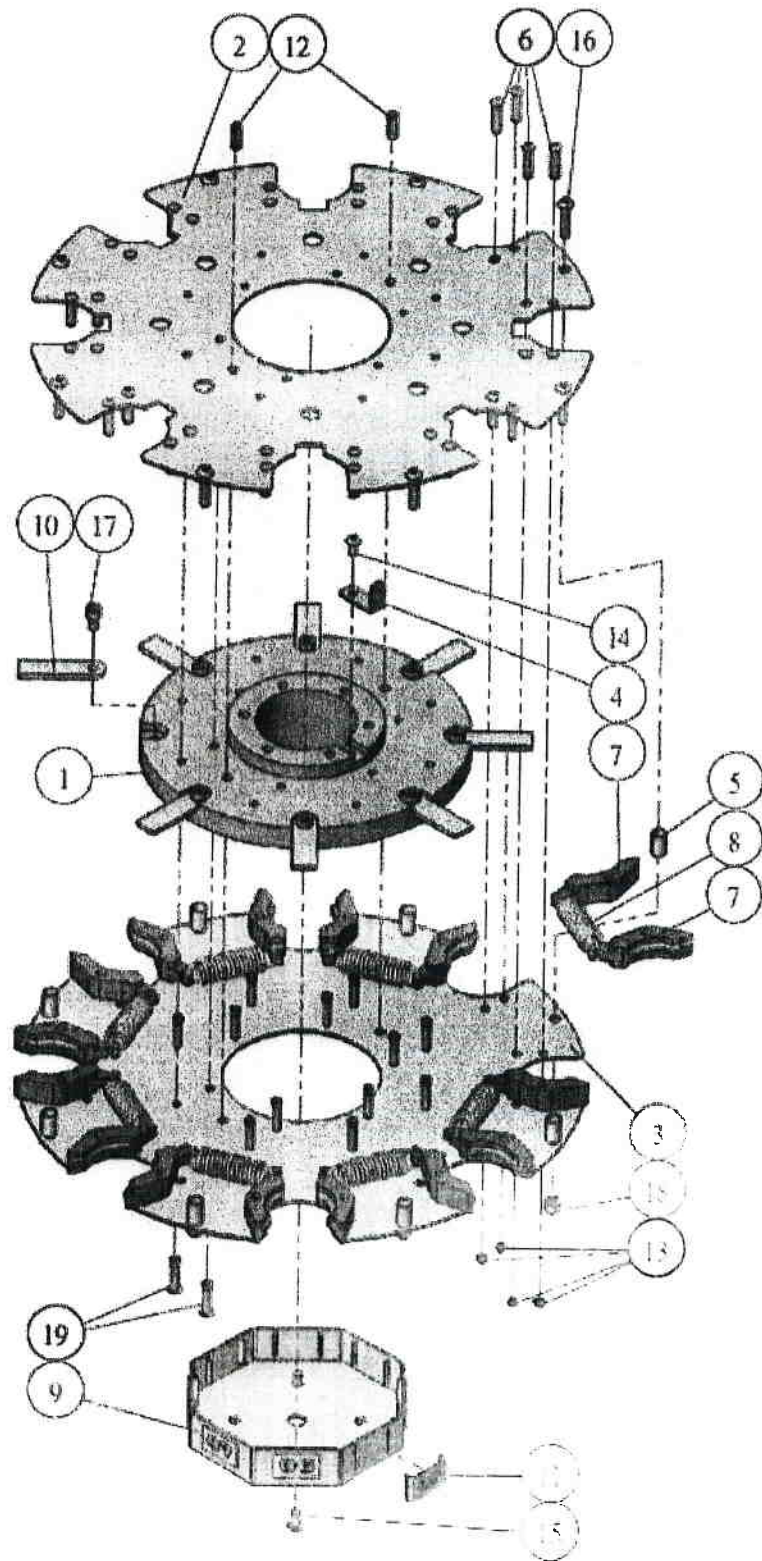
JMD-45ST CNC Tool Magazine assembly



### JMD-45ST CNC Tool Magazine assembly Part List

Index No.	Part No.	Description	Size	Qty
1	CH 1.3.4	Tool Disk Components		1
2	CH 1.3.5	Driven Components	L9A1	1
3	CH 1.3.6	Sliding Components	L9B1 BT308T01	1
4	L9D100801	Rotation Disk Right Cover	LV30SBT12T	1
5	L9D100901	Rotation Disk Left Cover	03 Ver.	1
6	L9D101001	Door Cover	03 Ver.	1
7	L9D100601	Outer Cover	03 Ver.	1
8	L9D200503	Bracket	30#8S	1
9	L9D200601	Door Cover Supporting Block	30#12TS	1
10	LC0500702	Fixed Shelf (Outside)		2
11	L9D101101	8T Pulling Shaft	30#	1
12	LD0500601	Door Cover Spacer	03 Ver.	1
13	LD0500702	Door Cover Fixed Slice		1
14	LD0300902	Pulling Tappet Seat		1
15	LD0302002	Pulling Tappet Supporting Shaft		1
16	W06	Washer		1
17	WS08	Spring Washer	M6	2
18	MB06100010	Round Socket Cap	M8	5
19	MR06100010	Semi-Round Cap	M6*1.0P*10L	6
20	MI06100010	Cap	M6*1.0P*10L	3
21	MI06100055	Cap	M6*1.0P*10L	6
22	MI08125012	Cap	M6*1.0P*55L	6
23	MI08125020	Cap	M8*1.25P*12L	1
24	MI08125030	Cap	M8*1.25P*20L	1
25	CO012	C-Shape Ring	M8*1.25P*30L	4
26	PIN0818	Pin	M12	2
			M8*18L	2

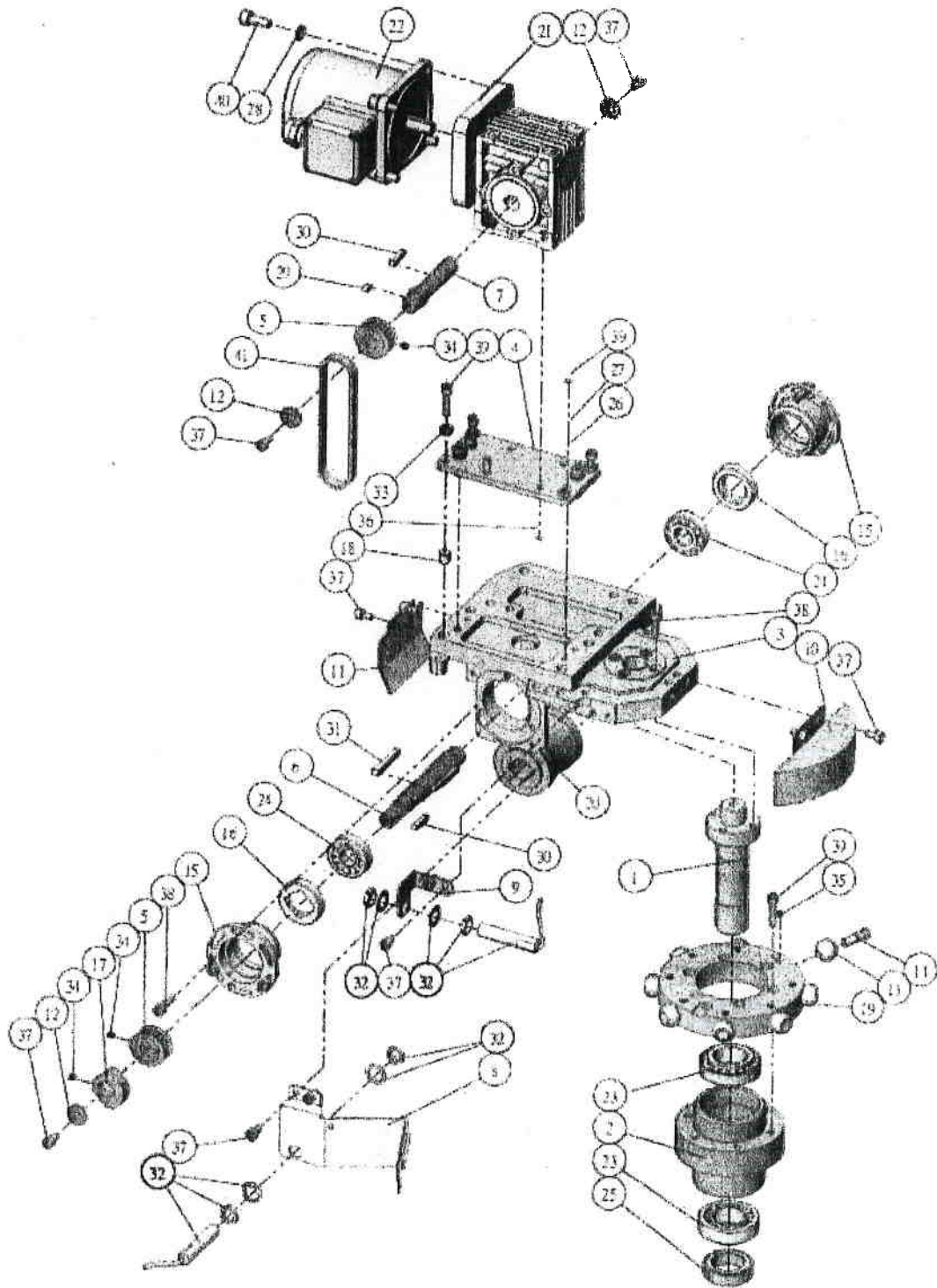
# JMD-45ST CNC Tool Disk Assembly



### JMD-45ST CNC Tool Disk Assembly Part List

Index No.	Part No.	Description	Size	Qty
1	L9A100705	Tool Disk	8T (320D)	1
2	L9A100901	Tool Clipper Up Cover	BT308T320D	1
3	L9A101001	Tool Clipper Down Cover	BT308T320D	1
4	L9B201401	Short Origin Sensor Slice	BT308T320D	1
5	LA0300901	Tool Clipper Ring		1
6	LA0303101	New Tool Clipper Position Pin		8
7	LA0500702	Tool Clipper		32
8	LA0502901	Tool Spring	30#	16
9	DV0605503	Number Cover	30#12T420D	8
10	DV0611001	Positioning Key	8T	1
11	DA0100401	Number Brand	BT308T300D	8
12	SP0618	Spring Pin		8
13	CO006	C-Shape Ring (Outside)	Φ6*18L	2
14	MR05080010	Semi-Rounded Bolt	Φ6	32
15	MR06100010	Semi-Rounded Bolt	M5*0.8P*10L	1
16	MR06100025	L-Semi-Rounded Bolt	M6*1.25P*10L	4
17	MI06100010	Cap	M6*1.25P*25	8
18	M6001R	Nut	M 6*1.0P *10L	8
19	4.8-25L	Pulling Nail	M 6*1.0P	8
			4.8-25L	14

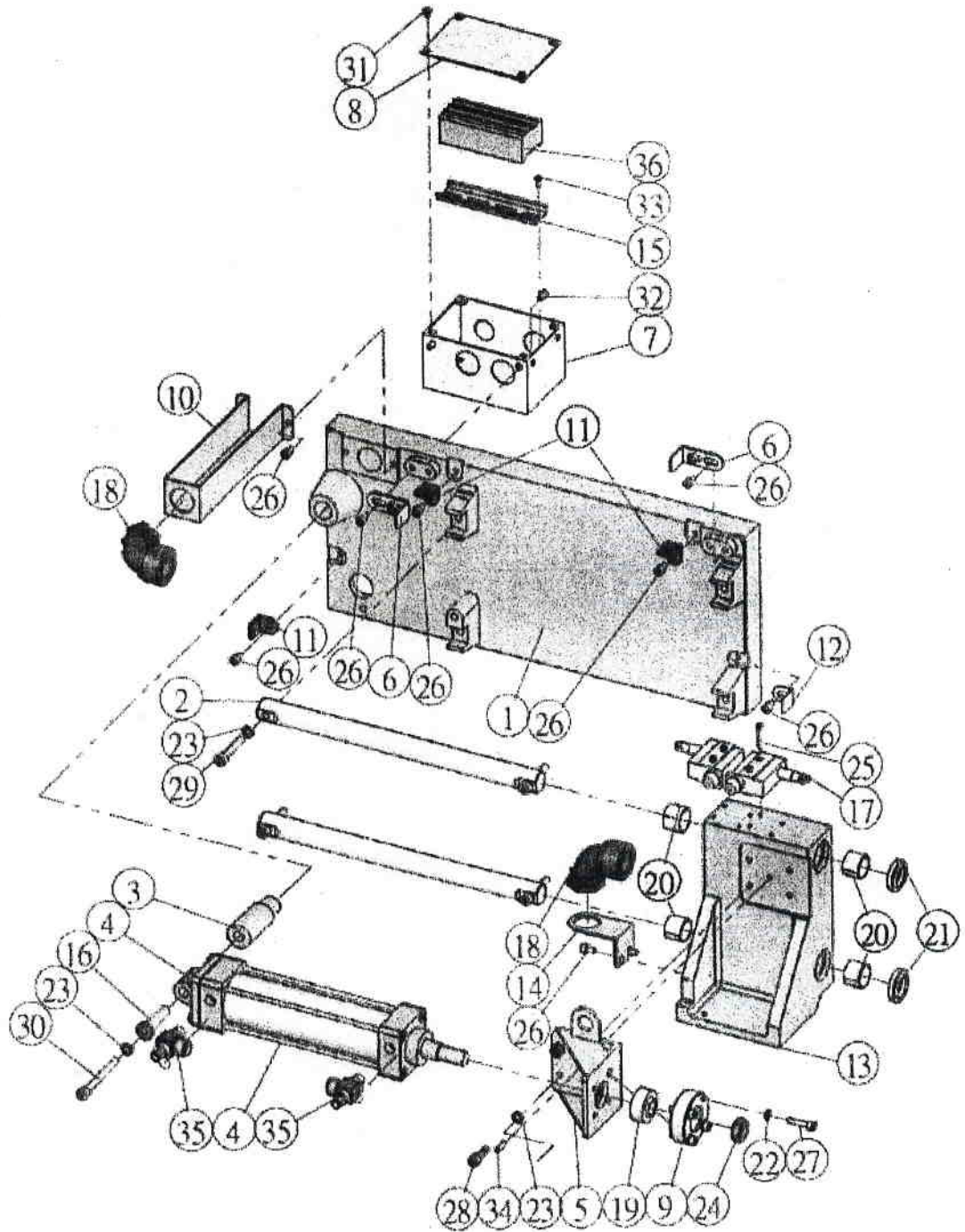
# JMD-45ST CNC Driven Components Assembly



## JMD-45ST CNC Driven Components Assembly part List

Index No.	Part No.	Description	Size	Qty
1	L9B100102	Disk Shaft		1
2	L9B100202	Bearing Seat	30#Tool	1
3	L9B200107	Rotaion Seat	30#	1
4	L9B200202	Motor Seat	12TS	1
5	L9B200301	Pulley Wheel		1
6	L9B200401	Cam Shaft		2
7	L9B200501	Driven Shaft		1
8	L9B200802	Tool Scouting		1
9	L9B200901	Sensor Seat		1
10	L9B201102	Cover		1
11	L9B201203	Plate		1
12	LB0300801	Spacer		1
13	L7B100303	Divided Roller Wheel		3
14	L7B100403	Roller Wheel Pin		8
15	L7B100503	Bearing Cover		8
16	L7B100601	Bearing Cover		2
17	L7B100903	Sensor Block		2
18	DB0100502	Position Pin	LV07	1
19	DV0604901	Divided Disk		4
20	DV0605001	Cam	8T	1
21	L30100R01	Reducer	8T	1
22	LM-5RK-60	Motor		1
23	BA-32006	Bearing	30:10	1
24	BA-30203	Bearing	32006	2
25	YSRM30015	Screwed Nut	30203	2
26	W06	Washer	M30*1.5P	1
27	WS06	Spring Washer	M6	8
28	WS08	Spring Washer	M6	4
29	KEY050510	Double Rounded Pin	M8	4
30	KEY050525	Double Rounded Pin	5*5*10L	1
31	KEY060640	Double Rounded Pin	5*5*25L	2
32	M12SENSOR	Sensor	6*6*40L	2
33	M06100005	Nut		2
34	MA05080005	Socket Bolt	M6*1.0P*5L	8
35	MA06100006	Socket Bolt	M5*0.8P*5L	3
36	MB06100020	Round Socket Cap	M6*1.0P*6L	8
37	MI06100010	Cap	M6*1.0P*20L	4
38	MI06010020	Cap	M6*1.0P*10L	11
39	MI06100025	Cap	M6*1.0P*20L	10
40	MI08125020	Cap	M6*1.0P*25L	13
41	5M-300-10	Belt	M8*1.25P*20L	4
			5M	1

### JMD-45ST CNC Sliding Components Assembly





## JMD-45ST CNC Sliding Components Assembly Part List

Index No.	Part No.	Description	Size	Qty
1	LC0500104	30# Based Seat		1
2	LC0500301	Sliding Tappet		1
3	LC0500501	Cylinder Fixed Tappet		2
4	LC0500901	S160 Air Pressure Cylinder		1
5	LC0501001	Connecting Seat		1
6	LC0300901	Block		1
7	LC0301906	Current Adaptor		2
8	LC0302003	Adaptor Cover		1
9	LC0303401	New Ball Bearing Seat		1
10	LC0303901	Short Protect Pipe Seat		1
11	LD0303902	New Outer Cover Seat		1
12	LD0301102	Outer Cover Ho Lder		3
13	L4C101404	12Ts Sliding Seat		1
14	L4C101502	12Ts Joint Seat		1
15	L7C100101	Termial Block Aluminum Rail		1
16	DE0102502	Air Cylinder Position Pin		1
17	MN-5311	Proximity Switch Seat		1
18	PG-21L	Elbow Joint		2
19	FBA16	Eye-Ball Bearing		2
20	DU252820	Self-Lubricated Bearing		1
21	WJ25376	Grease Seal		4
22	WS06	Spring Washer		2
23	WS08	Spring Washer	M6	4
24	M16150016	Nut	M8	9
25	MI04007025	Cap	M16 *2.0P*16L	1
26	MI06100010	Cap	M4*0.7P*25L	4
27	MI06100025	Cap	M6*1.0P*10L	12
28	MI08125020	Cap	M6*1.0P*25L	4
29	MI08125045	Cap	M8*1.25P*20L	4
30	MI08125070	Cap	M8*1.25P*45L	4
31	MR05008010	Semi-Rounded Bolt	M8*1.25P*70L	1
32	MR06100010	Semi-Rounded Bolt	M5*0.8P*10L	4
33	NT04007010	Cross-Head Bolt Driver	M6*1.0P*10L	2
34	PIN0618	Pin	M4*0.7P*10L	2
35	JSC-1002	1-4 Speed Adjust Valve	Φ6*18L	1
36	WAGO-LV01	Lv Europe Terminal Block		2